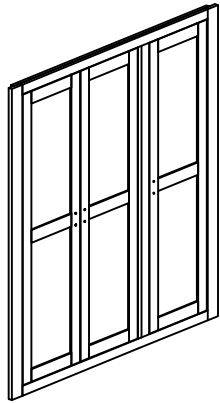
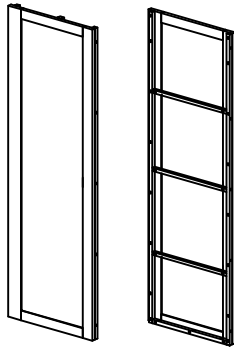


# ASSEMBLY INSTRUCTION 3 DOOR 3 DRAWER WARDROBE

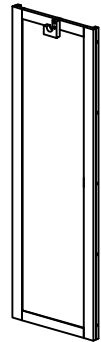
A = 1pc



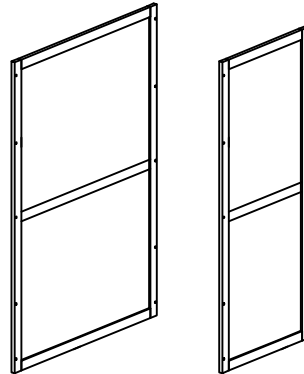
B = 02pcs



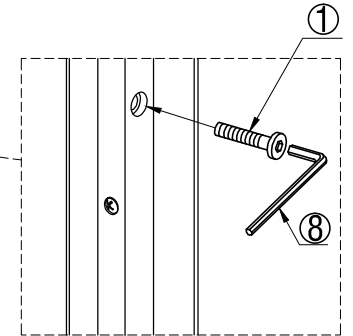
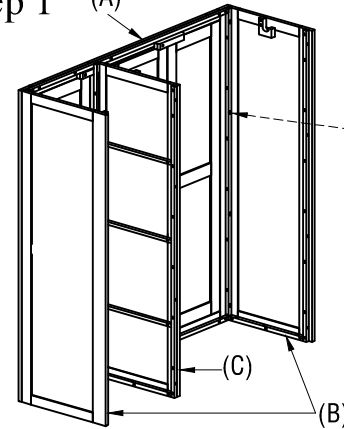
C = 01pc



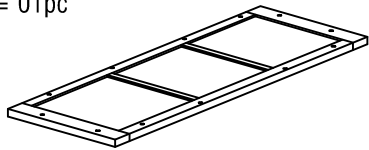
D = 02pc



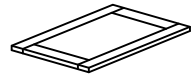
Step 1 (A)



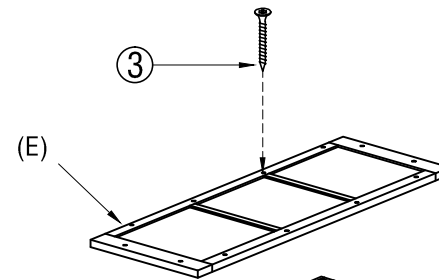
E = 01pc



F = 03pcs



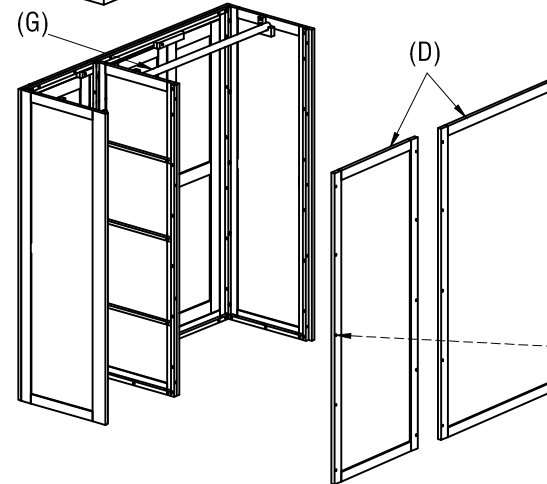
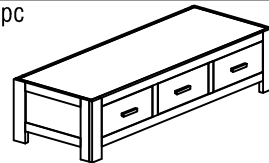
Step 2



G = 01pc



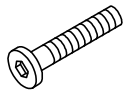
H = 01pc



## HARDWARE

①

M6x30=34pcs



②

M4x30=6pcs



③

M4x30=12pcs



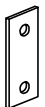
④

M4x15=18pcs



⑤

2x20x50=3pcs



⑥

2x20x (30,30) =3pcs



⑦

20x20 x150= 3 pcs

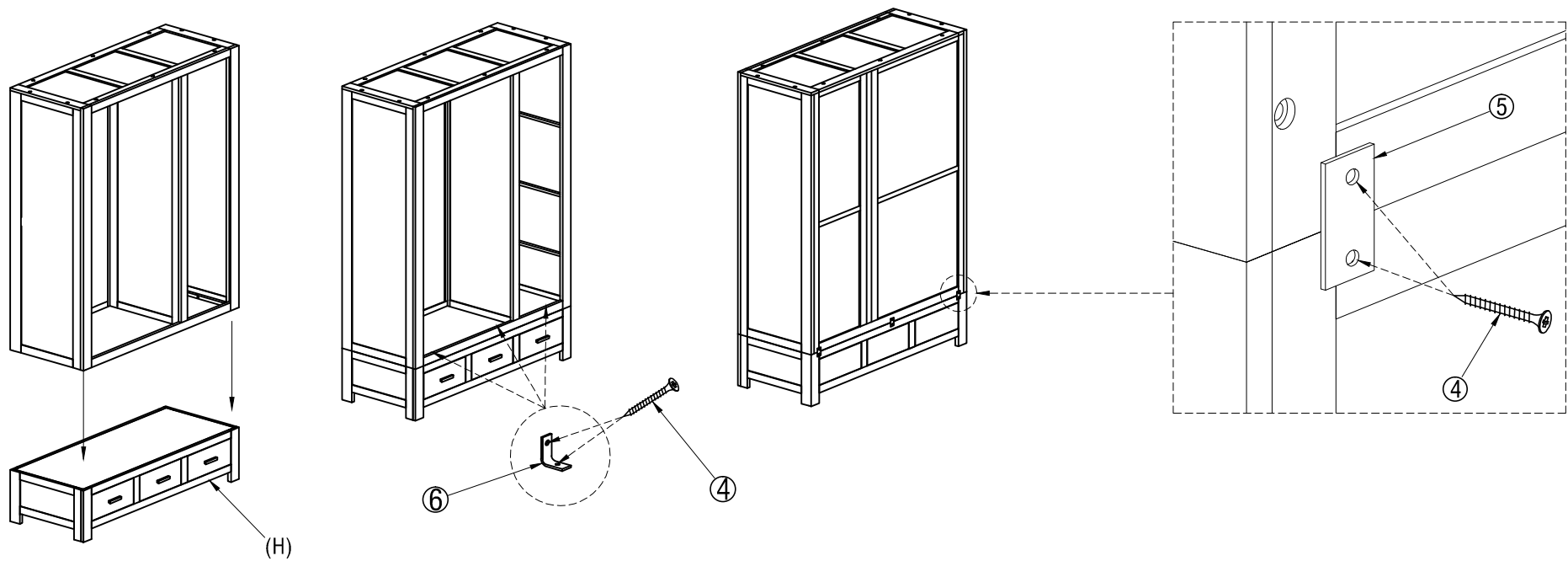


⑧

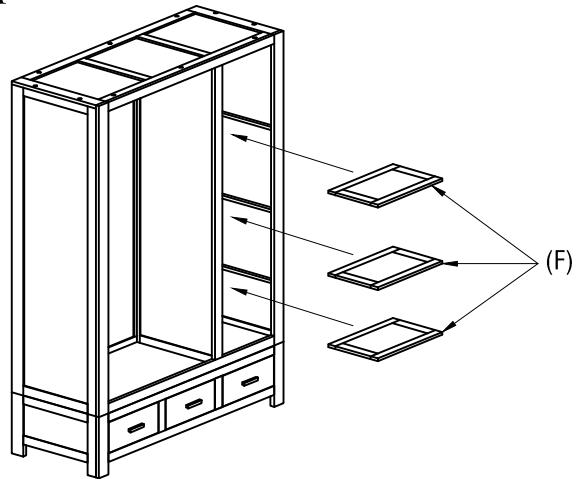
4x30x60=1pc



### Step 3



### Step 4



### Step 5

